

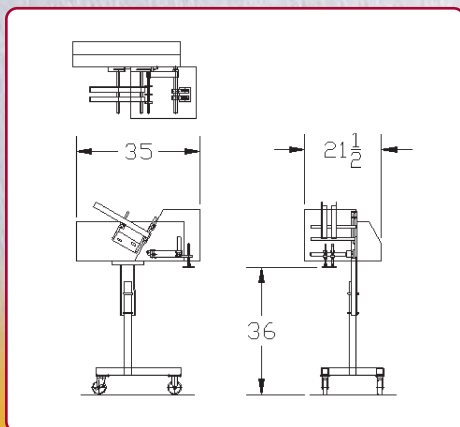
Reciprocating Placer Model 4024

Standard Features

- Speeds up to 60 ppm
- Allen Bradley Micrologix™ Controller
- Integral control panel
- Tubular steel frame with leveling feet
- Pneumatic drive
- Piab vacuum generator
- 24-inch inclined magazine

Optional Features

- Powered horizontal magazine
- “Low product” sensor
- “Missed pick” sensor
- Parent machine drive
- Vacuum pump
- Vertical screw height adjustment
- Heavy-duty casters
- Collating options available
- Deep-draw tray de-nesting
- Multiple magazines



Ask us about testing your product



“YOUR PARTNER IN AUTOMATED PACKAGING™”

PACKAGING SYSTEMS AUTOMATION, INC.

Packaging Equipment and System Specialists

2200 Niagara Lane, Plymouth, MN 55447

PHONE: 763-473-1032 FAX: 763-473-1204

www.psautomation.com EMAIL: sales@psautomation.com