

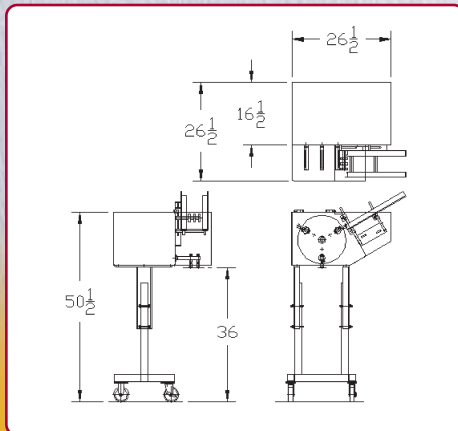
Rotary Placer Model 4023

Standard Features

- Speeds up to 400 ppm
- Tubular steel frame with leveling feet
- Gear motor drive
- Piab vacuum generator
- 24-inch inclined magazine

Optional Features

- Variable speed control
- Clutch/brake-controlled
- Allen Bradley Micrologix™ Controller
- Powered horizontal magazine
- “Low product” sensor
- “Missed pick” sensor
- Parent machine drive
- Servo drive and control
- Vacuum pump
- Vertical screw adjustment
- Heavy-duty casters
- Collating options available
- Multiple magazines



Ask us about testing your product



“YOUR PARTNER IN AUTOMATED PACKAGING™”

PACKAGING SYSTEMS AUTOMATION, INC.

Packaging Equipment and System Specialists

2200 Niagara Lane, Plymouth, MN 55447

PHONE: 763-473-1032 FAX: 763-473-1204

www.psautomation.com EMAIL: sales@psautomation.com